

**DESCRIPTION**

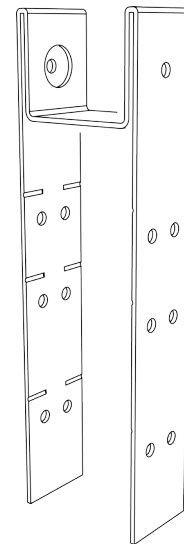
- Designed for concrete or clay tile roofs
- Pre-scored bend lines for adjustable height and slope
- Accepts 2" X 2" nominal nailer board
- Overall dimensions: 1-3/16"L X 1-15/16"W X 7" H

**MATERIALS**

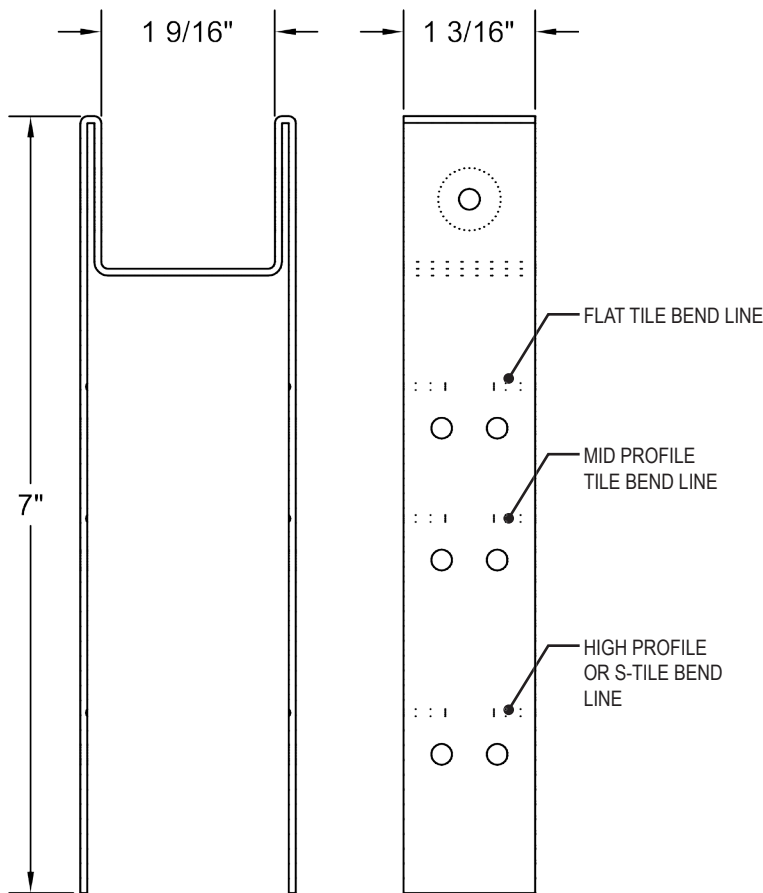
- 16 ga. Galvanized Steel
- 48 oz. Copper

**COLORS/FINISHES**

- Electrogalvanized Steel
- Mill Finish Copper
- Powder coating available in RAL Standard colors
- Visit [www.tra-mage.com](http://www.tra-mage.com) to see color chart

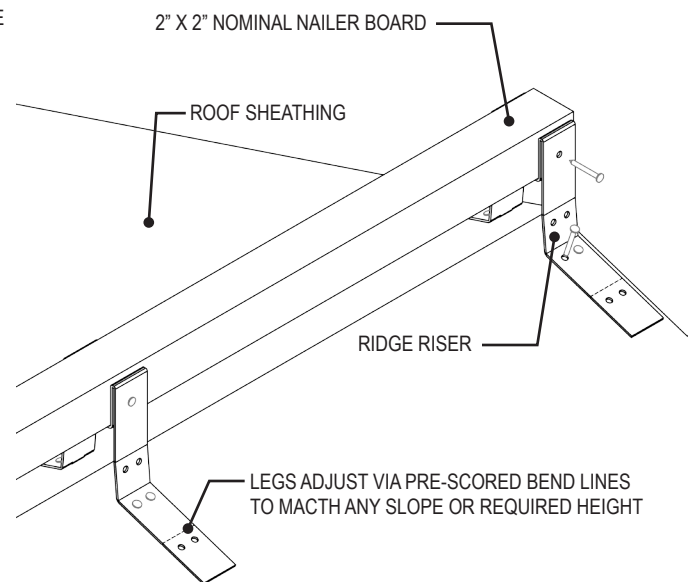


**RIDGE RISER  
FOR CONCRETE & CLAY TILE ROOFS**



**CRITICAL DIMENSIONS**

(DO NOT SCALE)



**RIDGE RISER INSTALLED**

(DO NOT SCALE)