

DESCRIPTION

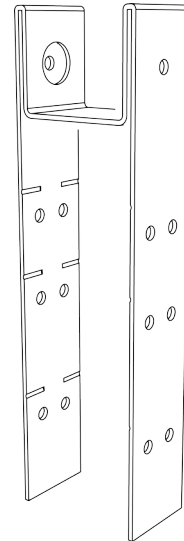
- Designed for concrete or clay tile roofs
- Pre-scored bend lines for adjustable height and slope
- Accepts 2" X 2" nominal nailer board
- Overall dimensions: 1-3/16"L X 1-15/16"W X 7" H

MATERIALS

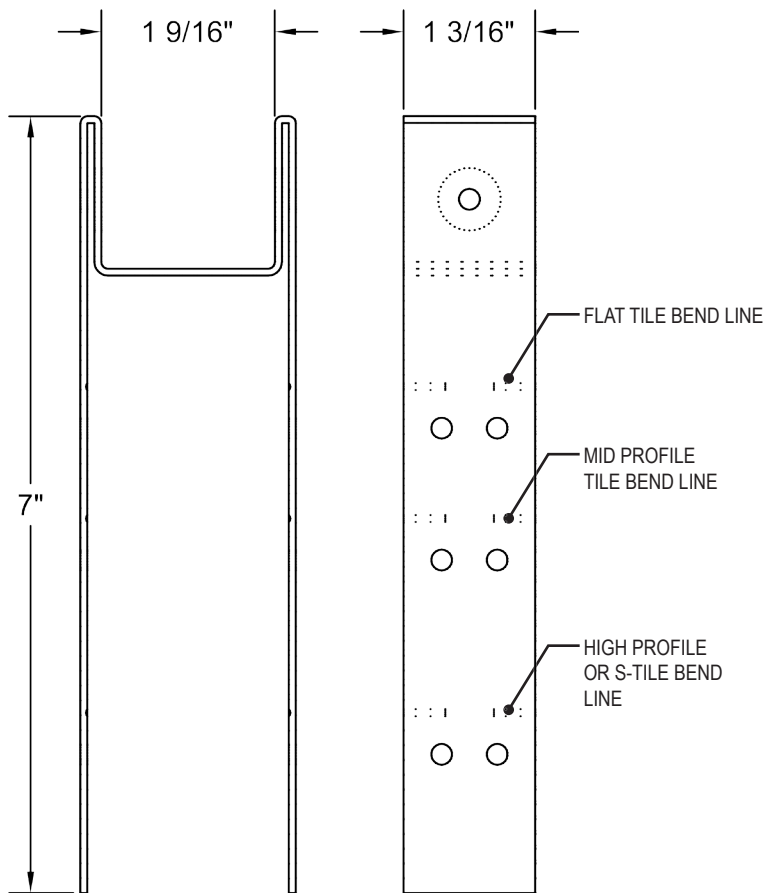
- 16 ga. Galvanized Steel
- 48 oz. Copper

COLORS/FINISHES

- Electrogalvanized Steel
- Mill Finish Copper
- Powder coating available in RAL Standard colors
- Visit www.tra-mage.com to see color chart

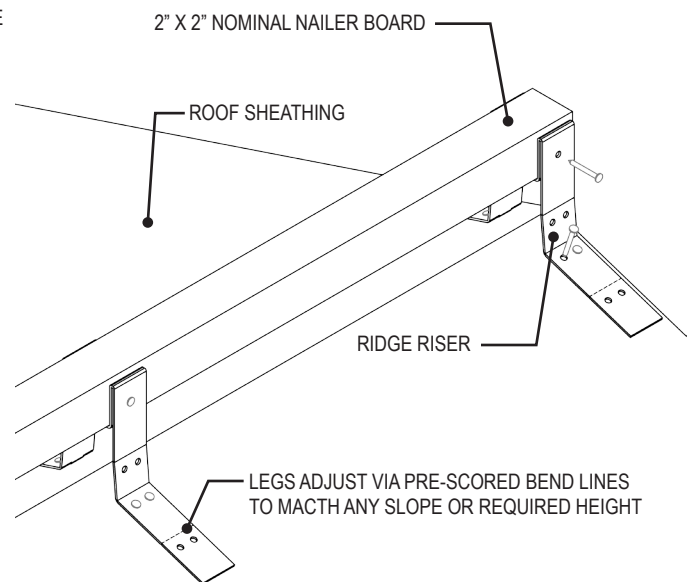


RIDGE RISER FOR CONCRETE & CLAY TILE ROOFS



CRITICAL DIMENSIONS

(DO NOT SCALE)



RIDGE RISER INSTALLED

(DO NOT SCALE)